

SKU #	Motor/Blade Finish
SFR523K-L12-B2-1	Black Black ABS Blades



CRANSTON

3-Blade | 52" | Smart Ceiling Fan
DC MOTOR 120V
INTEGRATED LED LIGHT KIT



DC Motor

- 10-Speed | Reversible
- Motor | 148 X 15mm
- RPM: High 170 Low 50
- 5350 CFM | 22 W | Efficiency = 220 CFM / Watt
- 4.5" Downrod Included

Blade

- 3-Blade | 52" Sweep
- Material: ABS plastic (Acrylonitrile Butadiene Styrene)
- 11° Pitch

Light Kit

- LED Light Board
- 22 W 2116 Lumens
- Dimmable From 10%-100% | 10 Levels of Dimming
- Color Temperature:
2700K Warm Light | 3500K Neutral Light | 4000K Cool Light
- Lens: Plastic

Standard Controls

- Remote Control
- CarroHome App Control
- Voice Control

Location

- Indoor Use Only

Certification

- ETL Listed
- Energy Star Certified

Warranty

- Fan Motor: Three-Year Limited Warranty
- LED Light Kit: Three-Year Limited Warranty
- Fan Blade: Three-Year Limited Warranty
- Other: Three-Year Limited Warranty

Measurements

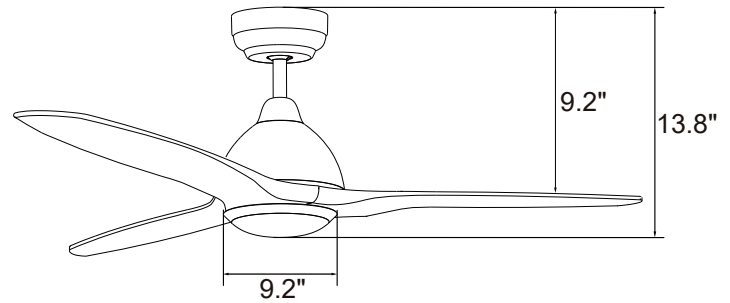
- Dimensions (in.):
13.8 H (to lowest point) x 9.2 W (housing) x 9.2 H (top of blade)
- Product Weight (lbs.): 10.6 N.W. | 16.8 G.W.
- Box (in.): 24.8 L X 15 W X 10 H

Shipping

- Container Loading:
20GP 470 pcs | 40GP 960 pcs | 40HQ 1120 pcs

Dimensions

13.8"	9.2"	9.2"
Height (lowest point)	Width (housing)	Height (top of blade)



Fan Control Features and Options

- Simple and intuitive design with standard layout.
- Multi-functional fan speed control with fan forward/reverse, light brightness adjustment, and fan/light on/off.
- Wi-Fi and RF pairing.

Remote
(Design 1)



Remote
(Design 2)



CarroHome
App



- Remote (Standard)

- Remote (Optional)

- App Control (Standard)

Voice Control By



- Google Home



- Amazon Alexa



- Siri Shortcuts

* Data subject to change without notice.